

ALUKIT DESCRIPTION

MERCEDES Sprinter 43S - VOLKSWAGEN Crafer 43S

A POLYESTER FRAME + AN ALUMINIUM ROLL-UP DOOR = ALUKIT

ALUKIT is an ideal solution for every body who wishes to replace the original rear doors of the vehicle with a roll-up door without modifying the body.

It's composed of a polyester frame adapted to the shape of the vehicle and a roll-up door.

To install an ALUKIT, you just need to remove the original rear door and place the polyester frame on the vehicle, then install the shutter.

The final fixing is done with integrated screws in the polyester frame, which have to be placed in the hinges of the original doors.



Advantages :

- Vehicle's appearance preserved
- No change on the vehicle body (No piercing, cutting, soldering or painting)
- The original doors can be restored
- Easy installation
- Short installation time (4 to 5 hours)

The polyester frame is delivered in RAL 9010, orange RAL 2000 or other color RAL on request.
The roll-up door standard finish is in RAL 7035 satin finish powder coated grey, but can also be delivered in RAL 9010, orange RAL 2000, anodized or other RAL on request.

! WARNING ! Check your exact vehicle model !

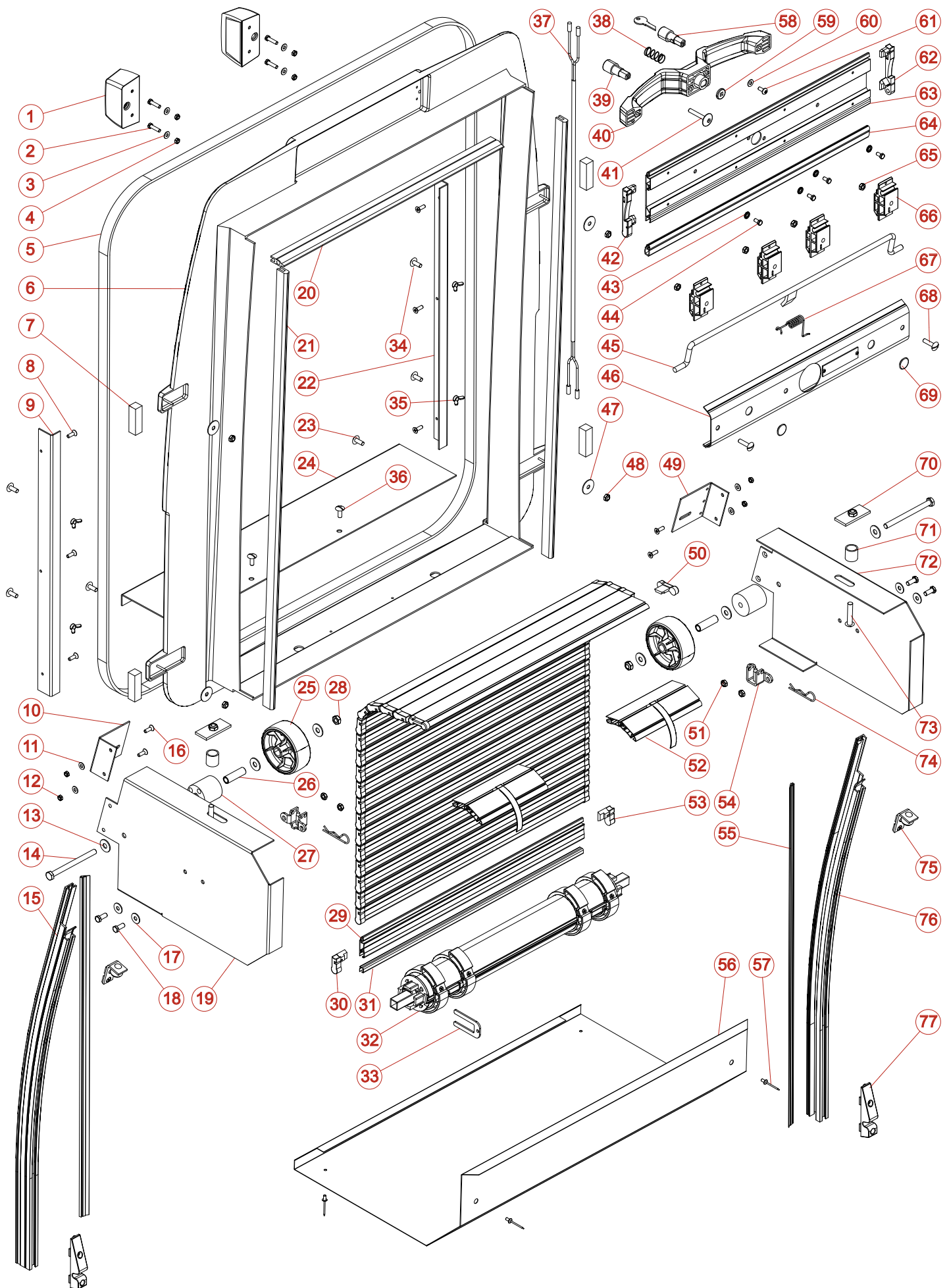
Our ALUKIT for MERCEDES Sprinter 43S and VOLKSWAGEN Crafter 43S is available for the **high** version.



MERCEDES SPRINTER 43S SURELEVE VOLKSWAGEN CRAFTER 43S SURELEVE

Passing width: 1218 mm
Passing height : 1710 mm

EXPLODED VIEW ALUKIT CRAFTER et SPRINTER 43S



ELEMENT LIST ALUKIT CRAFTER et SPRINTER 43S

| REP | CODE | DESCRIPTION |
|-----|------|---|
| 1 | 6019 | REAR-REGISTRATION-PLATE ILLUMINATION DEVICE |
| 2 | 3346 | STAINLESS SCREW TH 5 X 20 |
| 3 | 3319 | STAINLESS RING M 5 |
| 4 | 3348 | STAINLESS NUT HU M 5 |
| 5 | 2048 | FOAM SEAL 20 X 5 (M) |
| 6 | 6700 | CRAFTER POLYESTER FRAME |
| | 6750 | SPRINTER POLYESTER FRAME |
| 7 | 6100 | ALUKIT STICKER SEAL (M) |
| 8 | 3330 | STAINLESS SCREW TF POZIDRIV 5 X 16 |
| 9 | 6710 | ANGLE BRACKET FOR LEFT LIGHT |
| 10 | 6704 | LEFT SIDE PANEL ANGLE BRACKET |
| 11 | 3319 | STAINLESS RING M 5 |
| 12 | 3320 | STAINLESS LOCK NUT M 5 |
| 13 | 3301 | STAINLESS RING L 8 |
| 14 | 3300 | STAINLESS SCREW TH 8 X 100 |
| 15 | 6714 | LEFT TRACK FOR CRAFTER OR SPRINTER |
| 16 | 3330 | STAINLESS SCREW TF POZIDRIV 5 X 16 |
| 17 | 3304 | STAINLESS RING L 6 |
| 18 | 3303 | STAINLESS SCREW TH 6 X 16 |
| 19 | 6713 | LEFT SIDE PANEL |
| 20 | 2042 | ALUKIT WATERPROOF TOP SEAL |
| 21 | 6613 | BLACK PVC SEAL (M) |
| 22 | 6709 | ANGLE BRACKET FOR RIGHT LIGHT |
| 23 | 3325 | STAINLESS SCREW TRL POELIER 6 X 16 |
| 24 | 6706 | CRAFTER OR SPRINTER DOORSTEP |
| 25 | 4110 | WHEEL 80 DIA |
| 26 | 3109 | STEEL SPACER |
| 27 | 4107 | PLASTIC SPACER |
| 28 | 3302 | STAINLESS LOCK NUT M 8 |
| 29 | 1101 | TERMINAL SLAT (M) |
| 30 | 4002 | LEFT SLAT CAP |
| 31 | 2004 | INNER SLAT (M) |
| 32 | 8001 | ROLLER 62 |
| 33 | 3108 | BLOCKING FORK |
| 34 | 3325 | STAINLESS SCREW TRL POELIER 6 X 16 |
| 35 | 3323 | STAINLESS NUT WITH HANDLE M 6 |
| 36 | 3366 | STAINLESS SCREW TRL POELIER 6 X 10 |
| 37 | 6716 | ELECTRICAL CLUSTER |
| 38 | 3226 | COMPRESSION SPRING FOR PUSH BUTTON |
| 39 | 4202 | PUSH BUTTON |
| 40 | 4200 | MCD DOUBLE HANDLE |
| 41 | 3345 | SCREW POELIER TORSQUE 6 X 40 |
| 42 | 4017 | LEFT TERMINAL SLAT CAP |
| 43 | 3307 | STAINLESS RING AZ 5 |
| 44 | 3306 | STAINLESS SCREW TH 5 X 10 |
| 45 | 3213 | 1 TO 1.5 M ROD |
| 46 | 1200 | COVER (M) |

| REP | CODE | DESCRIPTION |
|-----|-------------------|--|
| 47 | 3332 | STAINLESS RING LL 6 |
| 48 | 3305 | STAINLESS LOCK NUT M 6 |
| 49 | 6703 | RIGHT SIDE PANEL ANGLE BRACKET |
| 50 | 4004 | SLAT SPECAIL CAP |
| 51 | 3305 | STAINLESS LOCK NUT M 5 |
| 52 | 8114 | LOOPS GUIDE |
| 53 | 4003 | RIGHT SLAT CAP |
| 54 | 3139 | ROLLER SUPPORT |
| 55 | 2023 | TRACK SEAL (M) |
| 56 | 6711 | PROTECTION COVER FOR CRAFTER OR SPRINTER |
| 57 | 3338 | ALU/STEEL STANDARD RIVET 4 X 8 |
| 58 | 3901 à 3920 | CYLINDER FOR LOCK N° 1001 TO N° 1020 |
| 59 | 4201 | DOUBLE HANDLE PLASTIC RING |
| 60 | 3319 | STAINLESS RING M 5 |
| 61 | 3324 | STEEL STAINLESS SCREW TC 5 X 12 POZIDRIV |
| 62 | 4018 | RIGHT TERMINAL SLAT CAP |
| 63 | 1101 | TERMINAL SLAT (M) |
| 64 | 2010 | BOTTOM SEAL (M) |
| 65 | 3503 | ZING-COATED LOCK NUT M 6 |
| 66 | 4251 | FIXATION ROD BEARING |
| 67 | 3207 | TORSION SPRING FOR ROD |
| 68 | 3335 | STAINLESS SCREW TRL POELIER 6 X 25 |
| 69 | 4208 | CAP COVER |
| 70 | 6705 | SPECIAL NUT |
| 71 | 6718 | ALU SPACER |
| 72 | 6712 | RIGHT SIDE PANEL |
| 73 | 3368 | STAINLESS SCREW TRL POELIER 8 X 40 |
| 74 | 3371 | STAINLESS BETA PIN 2.5 |
| 75 | 8117 | COMPLETE UPPER STOP |
| 76 | 6715 | RIGHT TRACK FOR CRAFTER OR SPRINTER |
| 77 | 8115 | COMPLETE ROD LOCK SYSTEM |