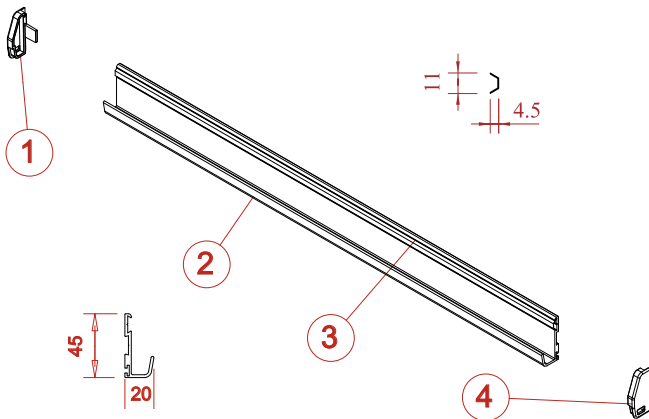


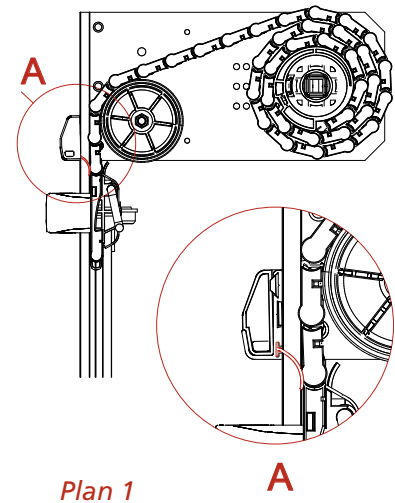
Drip channel



A drip channel profile made to measure can be delivered per unit in different finishes (anodised, grey 7035 or black 9005). This profile can be fixed onto the header with screws or rivets in the groove provided. A cover as well as 2 caps are also delivered with this equipment to hide screws and acquire a better appearance of the set.

This drip channel is also useful as a support for the high waterproof top seal when it is installed between the header and the roll-up door (cf. plan 1). For more details consult page 4.8.1.

| REP | CODE | DESCRIPTION |
|-----|------|------------------------------------|
| 1 | 4012 | RIGHT DRIP CHANNEL CAP |
| 2 | 1601 | DRIP CHANNEL WITH SEAL SUPPORT (M) |
| 3 | 2043 | PVC COVER |
| 4 | 4013 | LEFT DRIP CHANNEL CAP |
| 5 | 1501 | SILL PLATE (M) |



Plan 1

Sill plate

A sill plate profile is also available with same conditions.

