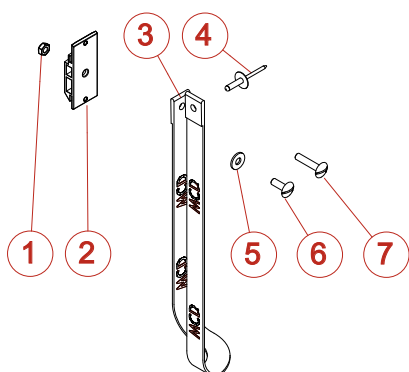
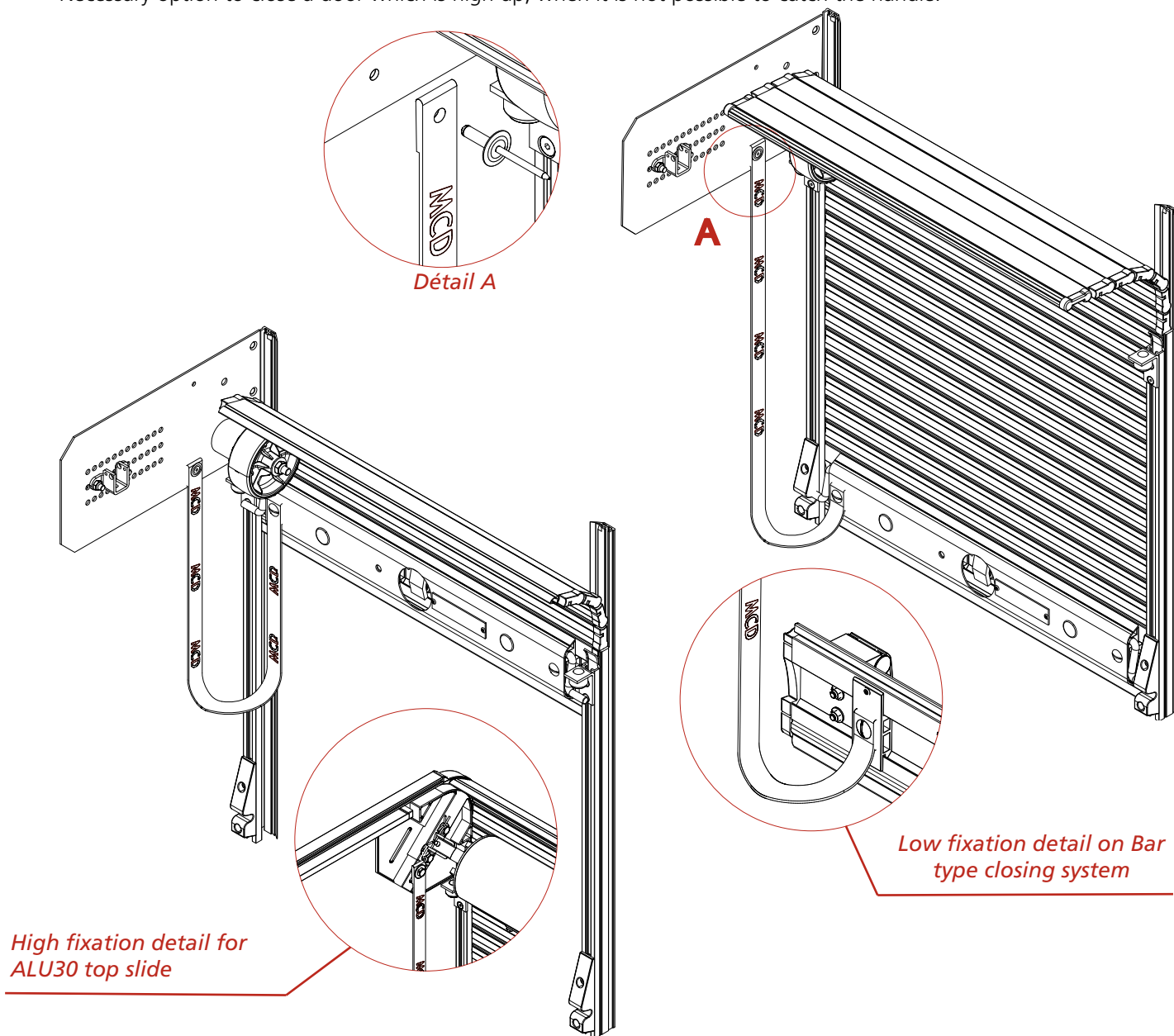


# PULL STRAP OPTION

## Description

A strong red strap 20mm width with MCD logo is installed on the side plate of the roller (Cf detail A) on one side and on the terminal slot of the roll-up door for the opposite side. This location allows to avoid any outside protrusion of the strap when the door is in the closed position.

Necessary option to close a door which is high up, when it is not possible to catch the handle.



REP	CODE	DESCRIPTION
1	3503	ZINC-COATED LOCK NUT M 6
2	4250	CABLE CLIP
3	4253	MCD POLYESTER STRAP 20 MM (M)
4	3246	ALU/STEEL RIVET 4.8 X 17
5	3304	STAINLESS RING L 6
6	3325	STAINLESS SCREW TRL POELIER 6 X 16
7	3335	STAINLESS SCREW TRL POELIER 6 X 25