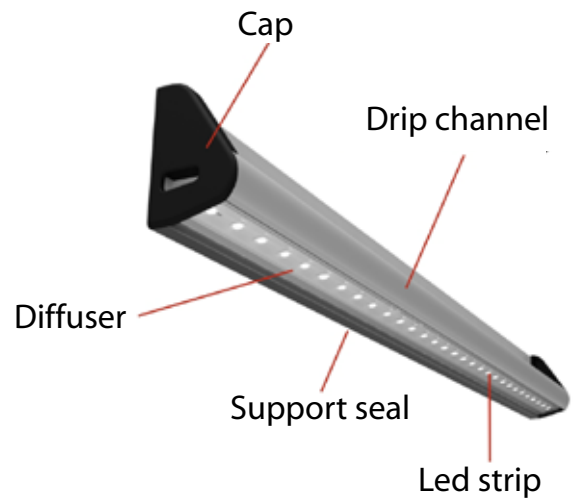


General principle

This option 3 in 1, provide a protection against the water licking thanks to its gutter shape, an outside vehicle area lighting with the LED strip integrated and a top seal support in order to limit the water access inside the compartment at opening.

The aluminium profile could be delivered in anodized finish or in powder coated finish grey RAL 7035, black RAL 9005 or any others RAL colors on demand.

Its maximum length of 6.90ml can hold 2 power tensions: 12V or 24V, with a wiring exit on the profile side to define at ordering time.



Installation

This lighting system works as a lamp (2 cables: 1 positive and 1 negative) and can be coupled with our switch system (4.5) for an automatic lighting at opening.



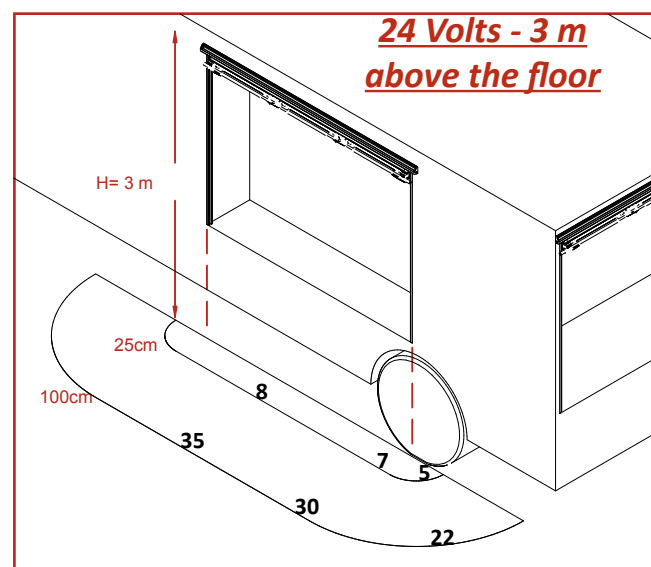
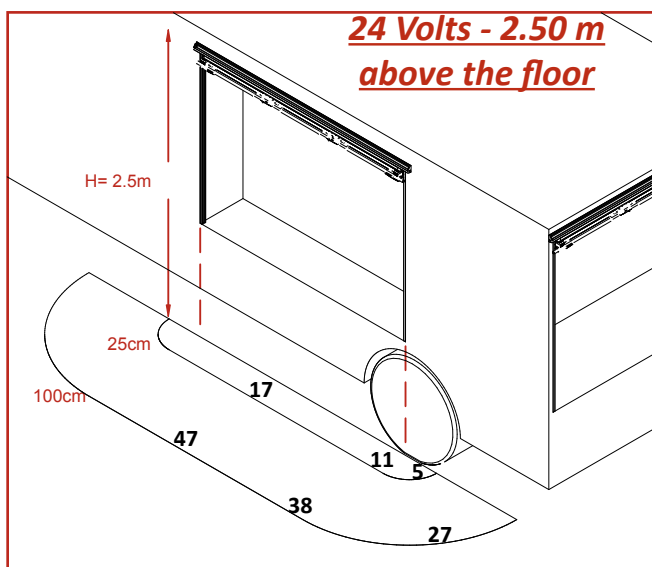
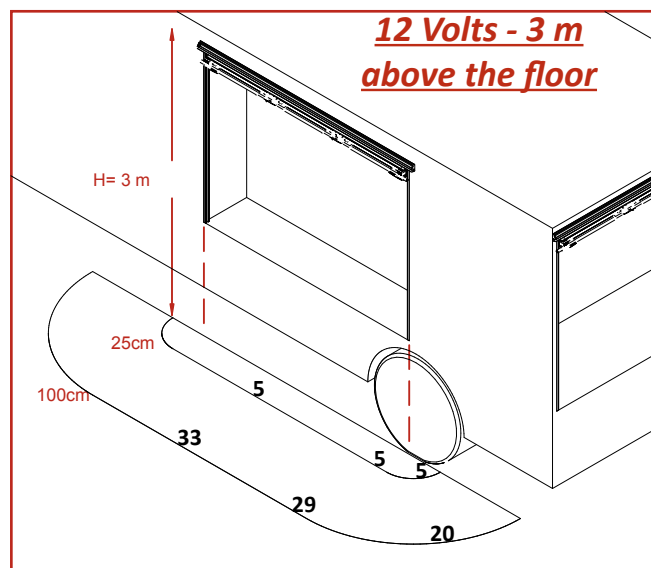
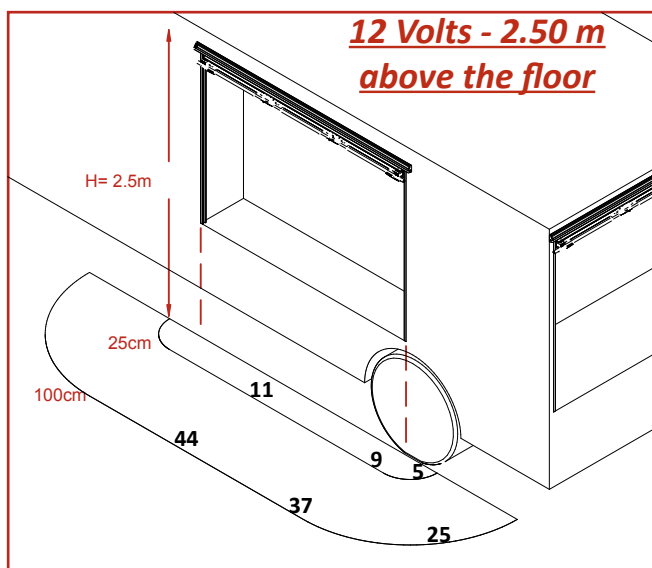
Advantages

- High-performance white lighting
- Limited wiring
- IP67 waterproof system
- Prompt lighting
- Anti dazzle diffuser
- Lighting life span (50,000 hours).
- Consumption reduced 520 Ma/ml for 24V.



Illumination results in lux

You will find below some illumination result diagram in lux measured on the floor, shutter in fully opened position, at different height and different places of the lighting area.



REP	CODE	DESCRIPTION
1	4516	RIGHT CAP FOR LIGHTING DRIP CHANEL
2	7040	12 V 50 CM LED RIBBON
	7041	12 V 100 CM LED RIBBON
	7042	12 V 150 CM LED RIBBON
	7043	12 V 200 CM LED RIBBON
	7060	12 V 250 CM LED RIBBON
	7061	12 V 300 CM LED RIBBON
	7062	12 V 350 CM LED RIBBON
	7063	12 V 400 CM LED RIBBON
	7045	24 V 50 CM LED RIBBON
	7046	24V 100 CM LED RIBBON
	7047	24 V 150 CM LED RIBBON
	7048	24 V 200 CM LED RIBBON
	7065	24 V 250 CM LED RIBBON
	7066	24 V 300 CM LED RIBBON
7067	24 V 350 CM LED RIBBON	
7068	24 V 400 CM LED RIBBON	
3	2050	ANTI-DAZZLING DIFFUSER PROFILE
4	2043	DRIP CHANNEL PVC COVER
5	1602	LIGHTING DRIP CHANNEL PROFILE
6	4515	LEFT CAP FOR LIGHTING DRIP CHANEL

